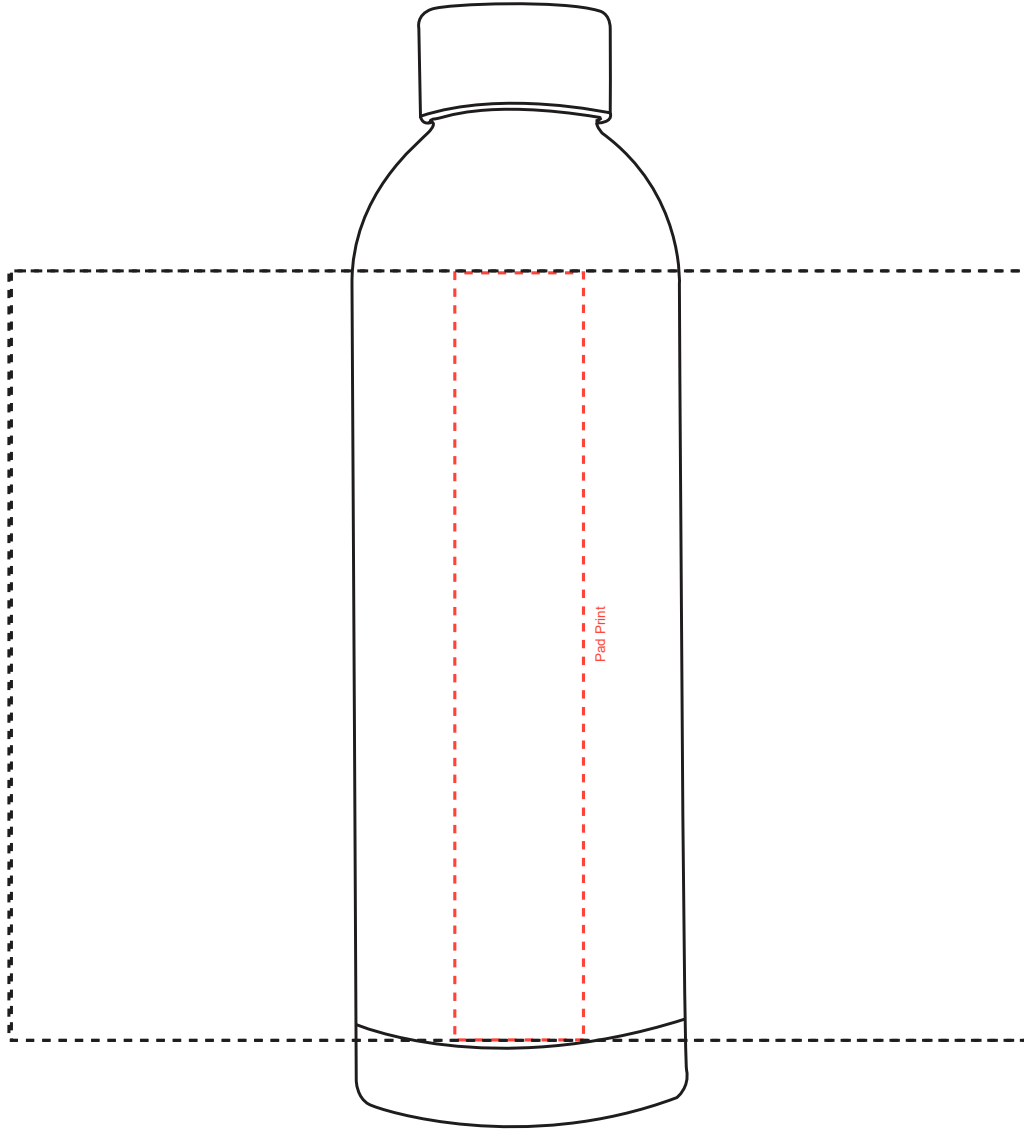


LINE DRAWING



Terms and Conditions:

Intex will be free of liability should your order be delayed due to circumstances beyond our control. Such as Port/Vessel delays due to Weather, or labour action.

As PMS colours are usually mixed by hand, from time to time there could be a colour difference from the requested pms to the final product. This is due to ink colour, substrate being printed and decoration type, this is unavoidable on the final product and customer should expect that some variance may show up dependent on the factors above. Intex considers this as acceptable. Please note that differences in printing could be up to 2 shades in PMS.

ALL ARTWORKS HAVE TO BE APPROVED IN 36 HOURS WHEN RECEIVING. PRODUCTION WILL NOT COMMENCE WITHOUT SAMPLE OPTION SELECTED.

Product: PS2019 750ML Rubber Finished Double Wall Thermal Bottle

Item Size: 7.8cm Diameter x 26cm H

Print Size: Pad Print 3.5cm W x 18.5cm H
Full Wrap 24.44cm W x 18.5cm H

Order No:

Qty:

Item Color:

Print PMS Color(s):

Actual Print Size:

Artwork Approval:

Approved Alterations as marked

Name:

Signed:

Company:

Date: